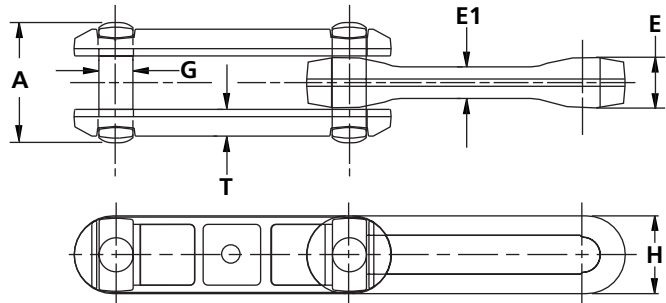
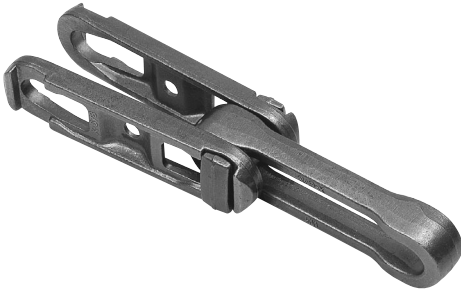


# Drop Forged Rivetless Chain

Promac drop forged rivetless chain is designed to operate in power and free systems with field assembly or disassembly made easy.

**Key qualities are:**

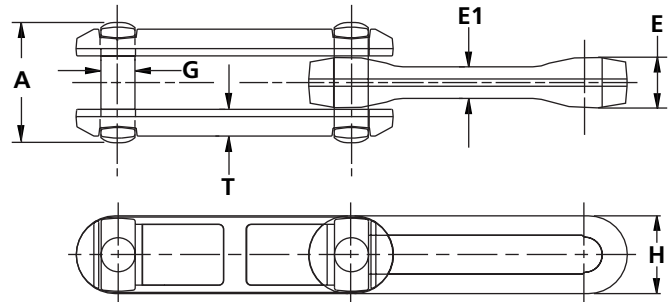
- Pins, center link and sidebars are made of highest carbon or alloy material, that is heat treated to provide strength.
- Precise pitch control provides consistency and reliability especially for automated systems.
- Simple design permits quick assembly or disassembly without tools.



## X-Style Drop Forged Rivetless Chain

All dimensions are inches unless otherwise indicated

Chain Number	Pitch	Chain Width			Pin Diameter	Sidebars		Average Ultimate Strength (lbs.)		Maximum Work Load (lbs.)		Avg. Pitches (ft.)	Approx. Weight (lbs./ft.)
		Overall A	Inside			Thick T	Height H	Alloy Heat Treated <sup>1</sup>	Heat Treated	Normal	Freq. Flex.		
			E	E1	G								
X-348 <sup>2</sup>	3.015	1.73	.75	.50	.50	.41	1.09	24,000	48,000	2,600	1,200	3.95	2.2
X-458 <sup>2</sup>	4.031	2.19	1.00	.63	.63	.47	1.38	60,000	120,000	4,000	1,900	2.98	3.2
X-678 <sup>2</sup>	6.031	3.03	1.28	.81	.88	.72	2.00	100,000	200,000	7,100	3,300	1.99	6.7



## Standard Drop Forged Rivetless Chain

All dimensions are inches unless otherwise indicated

Chain Number	Pitch	Chain Width			Pin Diameter	Sidebars		Average Ultimate Strength (lbs.)		Maximum Work Load (lbs.)		Avg. Pitches (ft.)	Approx. Weight (lbs./ft.)
		Overall A	Inside			Thick T	Height H	Alloy Heat Treated <sup>1</sup>	Heat Treated	Normal	Freq. Flex.		
			E	E1	G								
678	6.031	3.13	1.28	.81	.88	.50	2.00	100,000	200,000	7,100	3,300	1.99	6.5
698	6.031	3.88	1.56	1.00	1.13	.56	2.56	150,000	300,000	10,800	5,200	1.99	11.4
998	9.031	3.88	1.56	1.00	1.13	.56	2.53	150,000	300,000	10,800	5,200	1.33	9.0

Note: Magna-flux inspected chain is available.

Component hardness: BHN 344 (Nom.) = Carbon steel chains; BHN 380 (Nom.) = Alloy steel chains.

<sup>1</sup> ANSI/SAE 8642

<sup>2</sup> The prefix "X" designates a design proportioned to flex transversely on a shorter radius. The outside bars are made with a mid-pitch panel that strengthens the sidebar and prevents material from falling through the link. X-Styles are used on overhead conveyors and other special applications. Attachments shown on the following page fit both Standard and X-Style Chain.

Dimensions shown are nominal. Obtain certified prints for design and construction.

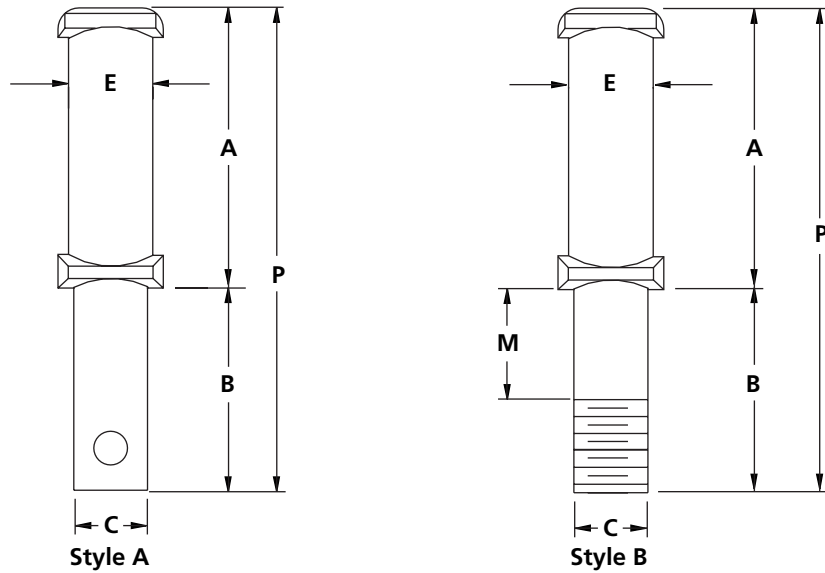
# Drop Forged Rivetless Chain

## Extended Pin & S-22 Attachments

Promac drop forged rivetless chain is designed to operate in power and free systems with field assembly or disassembly made easy.

**Key qualities are:**

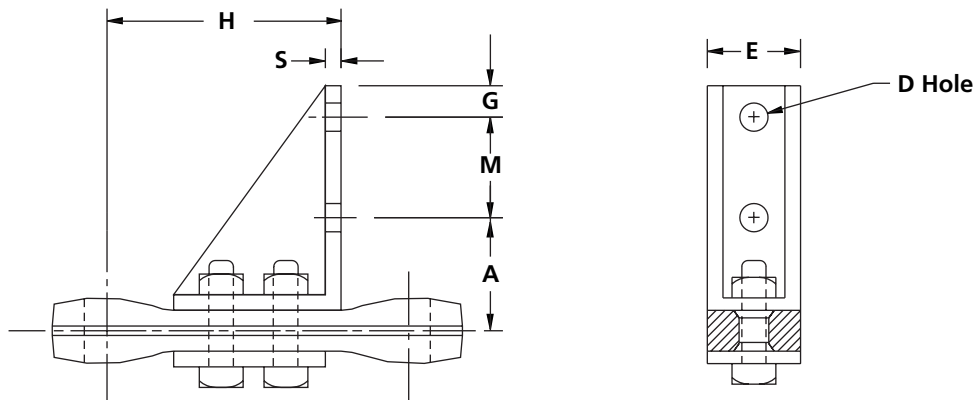
- Pins, center link and sidebars are made of highest carbon or alloy material, that is heat treated to provide strength.
- Precise pitch control provides consistency and reliability especially for automated systems.
- Simple design permits quick assembly or disassembly without tools.



### Extended Pin Specifications

All dimensions are inches unless otherwise indicated

Attachment Number	Chain Number	Dimensions						Approx. Weight (lbs./ft.)
		A	B	C	E	M	P	
Extended Pin <sup>1</sup>	X-458	2.25	1.13	.50	.63	.31	3.38	.3
Extended Pin <sup>1</sup>	678/X-678	3.13	1.50	.75	.88	.19	4.63	1.5
Extended Pin <sup>1</sup>	678/X-678	3.13	1.50	.88	.88	.19	4.63	1.6
Extended Pin <sup>1</sup>	998	3.88	1.75	.75	1.13	.38	5.63	1.9



### S-22 Attachment Specifications

All dimensions are inches unless otherwise indicated

Attachment Number	Chain Number	Dimensions							Approx. Weight (lbs./ft.)
		A	D	E	G	H	M	S	
S-22	X-458	2.25	.56	1.38	.63	3.18	2.00	.31	2.0
S-22	678/X678	2.88	.68	1.81	.88	4.75	2.25	.31	4.7

<sup>1</sup> Attachment pins also available with hexnut and lockwasher. Attachments other than those shown available upon request. Dimensions shown are nominal. Obtain certified prints for design and construction.