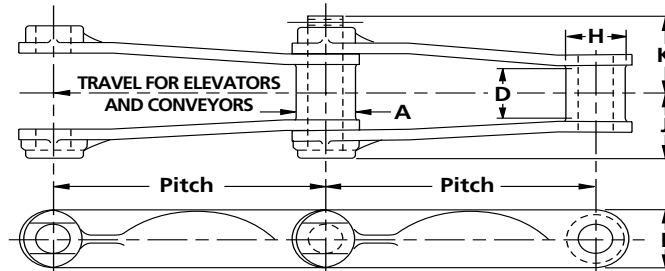


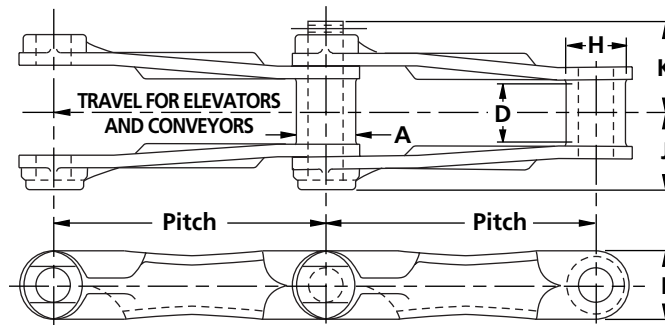
- Offset construction made of malleable iron that is heat treated for strength.
- The steel pins are locked into the sidebars to prevent wear caused by rotation.
- The shoes on the sidebars are curved to match chain saver rims on the sprockets.



720 and 720S Pintle Chain Specifications

All dimensions are inches unless otherwise indicated

| Chain Number | Pitch | Dimensions | | | | | | Rated Working Value (lbs.) | Average Ultimate Strength (lbs.) | Approx. Weight (lbs./ft.) |
|--------------|-------|------------|--------------------|-----------------|---------------|--------------|------|----------------------------|----------------------------------|---------------------------|
| | | Pin Dia. A | Max. Spkt. Width D | Sidebar Width F | Barrel Dia. H | Coupling Pin | | | | |
| | | | | | | J | K | | | |
| 720 | 6.00 | .69 | 1.125 | 1.50 | 1.38 | 1.66 | 1.89 | 3,220 | 22,000 | 4.2 |
| 720S | 6.00 | .75 | 1.125 | 1.56 | 1.44 | 1.70 | 2.11 | 3,540 | 30,000 | 5.2 |



CS720S Pintle Chain Specifications

All dimensions are inches unless otherwise indicated

| Chain Number | Pitch | Dimensions | | | | | | Rated Working Value (lbs.) | Average Ultimate Strength (lbs.) | Approx. Weight (lbs./ft.) |
|--------------|-------|------------|--------------------|-----------------|---------------|--------------|------|----------------------------|----------------------------------|---------------------------|
| | | Pin Dia. A | Max. Spkt. Width D | Sidebar Width F | Barrel Dia. H | Coupling Pin | | | | |
| | | | | | | J | K | | | |
| CS720S | 6.00 | .75 | 1.125 | 1.56 | 1.44 | 1.70 | 2.11 | 3,540 | 30,000 | 5.4 |

Pin and Cotter Assembly regularly furnished unless otherwise specified. Riveted Chain can be furnished and is recommended for all sewage and water treatment plants.

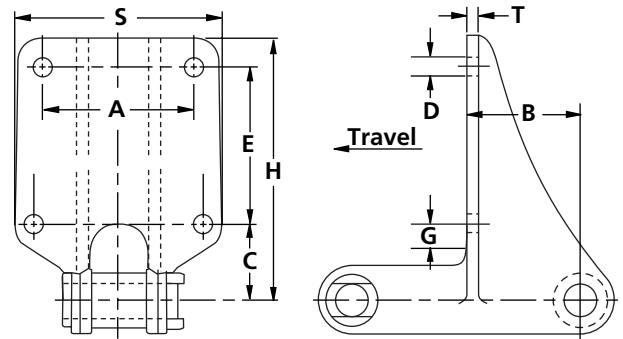
Dimensions shown are nominal. Obtain certified prints for design and construction.

F22-6 Attachment Specifications

| Chain No. | Dimensions (inches) | | | | | | | | | Approx. Wgt. (lbs./ft.) |
|-----------|---------------------|---|------|-------------|------|------|------|------|------|-------------------------|
| | A | B | C | Bolt Dia. D | E | G | H | S | T | |
| 720 | 3.75 | 3 | 2.38 | 3/8 | 2.63 | 1.00 | 6.00 | 5.38 | 0.25 | 8.9 |
| 720S | 3.75 | 3 | 2.38 | 3/8 | 2.63 | 1.00 | 6.00 | 5.38 | 0.25 | 10.1 |
| CS720S | 3.75 | 3 | 2.38 | 3/8 | 2.63 | 1.00 | 6.00 | 5.38 | 0.25 | 11.6 |

F22-8 Attachment Specifications

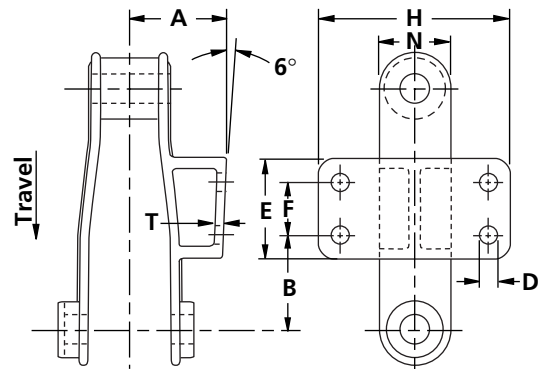
| Chain No. | Dimensions (inches) | | | | | | | | | Approx. Wgt. (lbs./ft.) |
|-----------|---------------------|---|------|-------------|------|------|------|------|------|-------------------------|
| | A | B | C | Bolt Dia. D | E | G | H | S | T | |
| 720S | 3.75 | 3 | 2.38 | 3/8 | 4.50 | 1.00 | 7.88 | 5.50 | 0.25 | 12.9 |
| CS720S | 3.75 | 3 | 2.38 | 3/8 | 4.50 | 1.00 | 7.88 | 5.50 | 0.25 | 13.4 |



G6 (LH)* Attachment Specifications

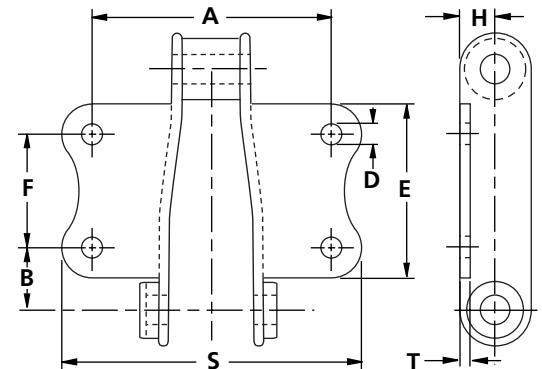
| Chain No. | Dimensions (inches) | | | | | | | | Approx. Wgt. (lbs./ft.) |
|-----------|---------------------|------|-------------|------|------|------|------|------|-------------------------|
| | A | B | Bolt Dia. D | E | F | H | N | T | |
| 720S | 2.56 | 1.81 | 3/8 | 2.38 | 1.25 | 4.88 | 3.50 | 0.31 | 8.2 |

* Available right or left hand.



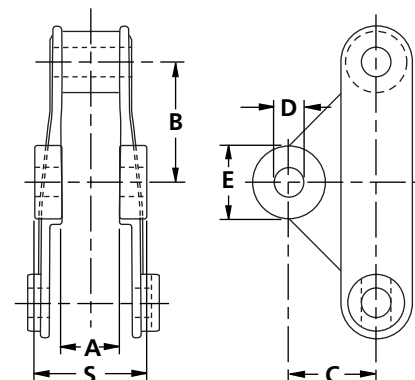
K2 Attachment Specifications

| Chain No. | Dimensions (inches) | | | | | | | | Approx. Wgt. (lbs./ft.) |
|-----------|---------------------|------|-------------|------|------|-----|------|------|-------------------------|
| | A | B | Bolt Dia. D | E | F | H | S | T | |
| 720S | 6 | 1.69 | 1/2 | 4.13 | 2.63 | .94 | 7.50 | 0.31 | 7.8 |
| CS720S | 6 | 1.69 | 1/2 | 4.13 | 2.63 | .94 | 7.50 | 0.31 | 7.4 |



M1 Attachment Specifications

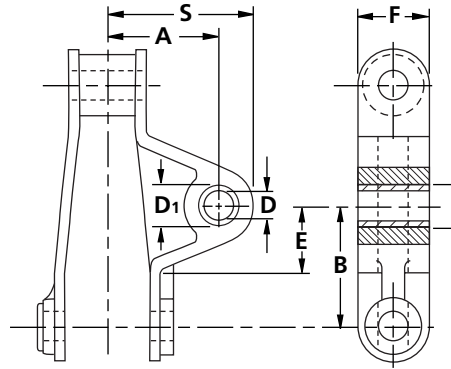
| Chain No. | Dimensions (inches) | | | | | | Approx. Wgt. (lbs./ft.) |
|-----------|---------------------|------|------|-------------|------|------|-------------------------|
| | A | B | C | Bolt Dia. D | E | S | |
| 720 | 1.50 | 3.00 | 1.50 | 3/4 | 1.50 | 3.00 | 6.0 |
| 720S | 1.50 | 3.00 | 1.50 | 3/4 | 1.50 | 3.00 | 6.0 |
| CS720S | 1.50 | 3.00 | 1.50 | 3/4 | 1.50 | 3.00 | 5.6 |



Dimensions shown are nominal. Obtain certified prints for design and construction.

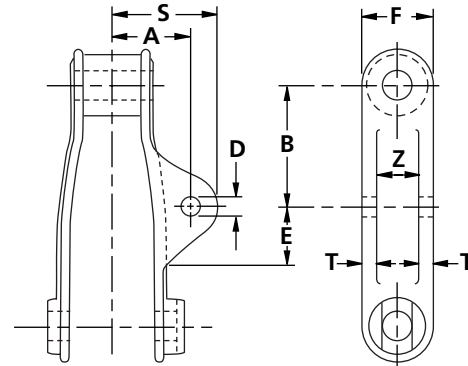
A42 w/bushing Attachment Specifications

| Chain No. | Dimensions (inches) | | | | | | | Approx. Wgt. (lbs./ft.) |
|-----------|---------------------|------|-------------|----------------|------|------|------|-------------------------|
| | A | B | Bolt Dia. D | D ₁ | E | F | S | |
| 720S | 3.00 | 3.00 | 5/8 | 0.94 | 2.00 | 1.56 | 3.88 | 5.5 |
| CS720S | 3.00 | 3.00 | 5/8 | 0.94 | 2.00 | 1.56 | 3.88 | 7.2 |



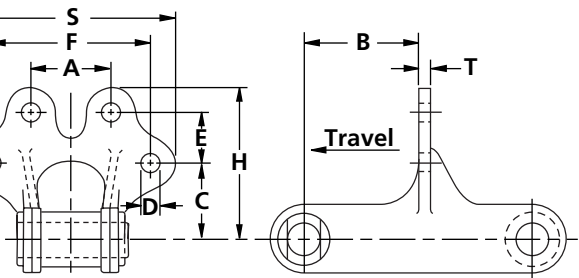
A53 Attachment Specifications

| Chain No. | Dimensions (inches) | | | | | | | | Approx. Wgt. (lbs./ft.) |
|-----------|---------------------|------|-------------|------|------|------|-----|------|-------------------------|
| | A | B | Bolt Dia. D | E | F | S | T | Z | |
| 720S | 1.94 | 3.00 | 1/2 | 1.88 | 1.56 | 2.69 | .31 | 0.88 | 6.2 |



A53S Attachment Specifications

| Chain No. | Dimensions (inches) | | | | | | | | Approx. Wgt. (lbs./ft.) |
|-----------|---------------------|------|-------------|------|------|------|-----|------|-------------------------|
| | A | B | Bolt Dia. D | E | F | S | T | Z | |
| 720S | 2.44 | 3.00 | 1/2 | 1.88 | 1.56 | 3.19 | .31 | 0.88 | 6.2 |
| CS720S | 2.44 | 3.00 | 1/2 | 1.88 | 1.56 | 3.19 | .31 | 0.88 | 6.4 |



F2 Attachment Specifications

| Chain No. | Dimensions (inches) | | | | | | | | | Approx. Wgt. (lbs./ft.) |
|-----------|---------------------|------|------|-------------|------|------|------|------|------|-------------------------|
| | A | B | C | Bolt Dia. D | E | F | H | S | T | |
| 720 | 1.94 | 3.00 | 2.00 | 1/2 | 1.31 | 4.25 | 3.88 | 5.38 | 0.25 | 6.5 |
| 720S | 1.94 | 3.00 | 2.00 | 3/8 | 1.31 | 4.25 | 3.88 | 5.38 | 0.25 | 6.9 |

Dimensions shown are nominal. Obtain certified prints for design and construction.